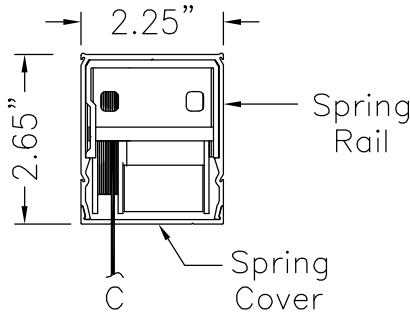
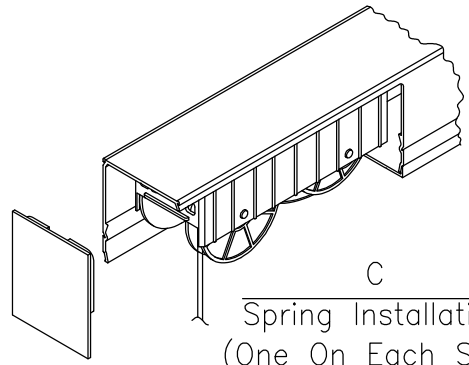


D
Hembar &
End Cap



C
Side View

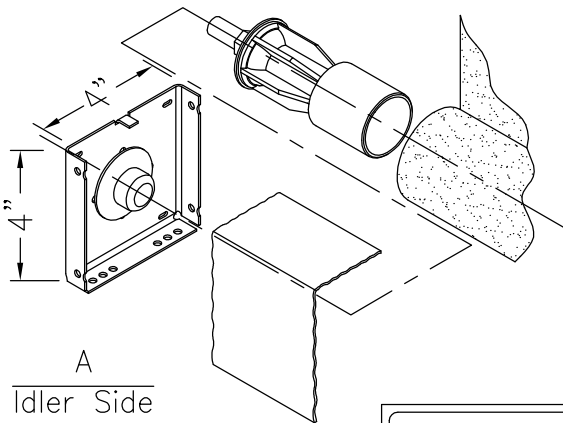
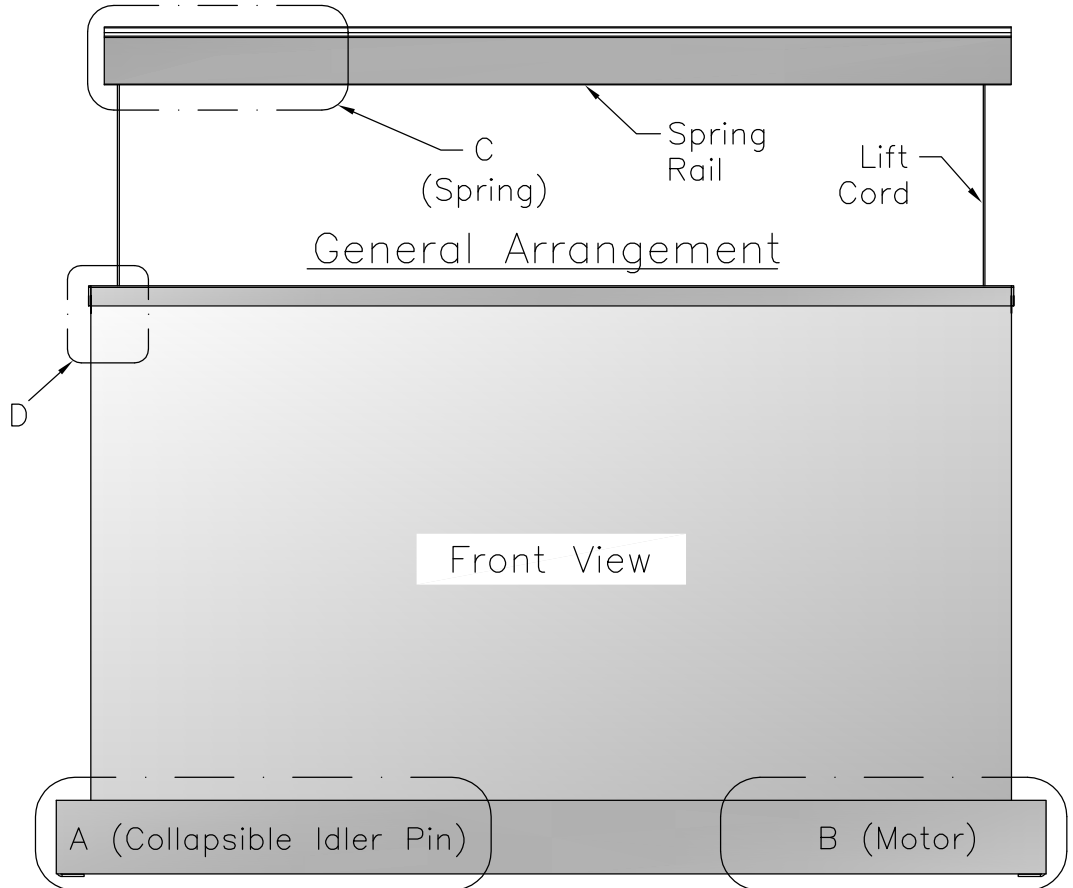
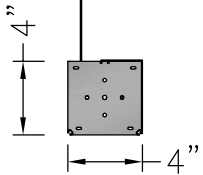


C
Spring Installation
(One On Each Side)

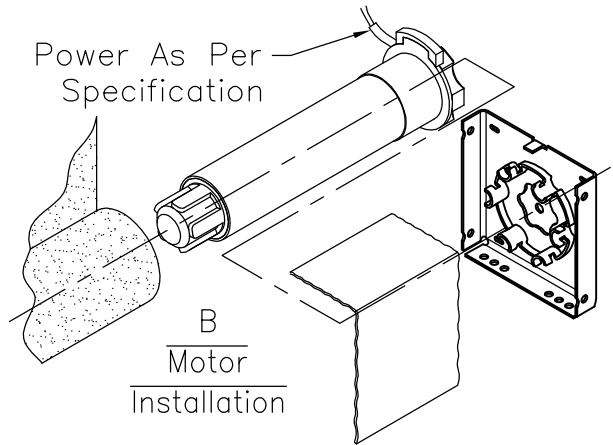


D1
(Hembar)

Side
View



A
Idler Side
Installation



B
Motor
Installation

CONCORD SHADING SYSTEMS INC.			
	Title: MOTORIZED BOTTOM UP ROLLER WITH 4" VALANCE		Scale: N.T.S.
	DWG No. BU-MO-4IN-VLNC-0028	Date: 14-MAR-2019	Rev 00