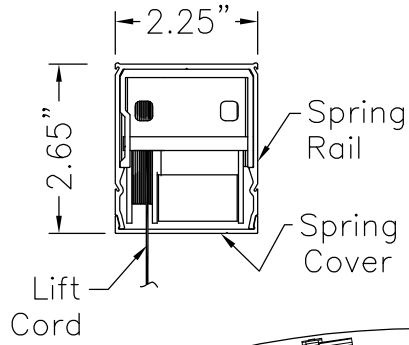
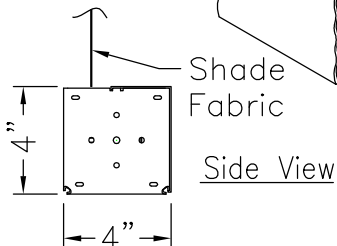
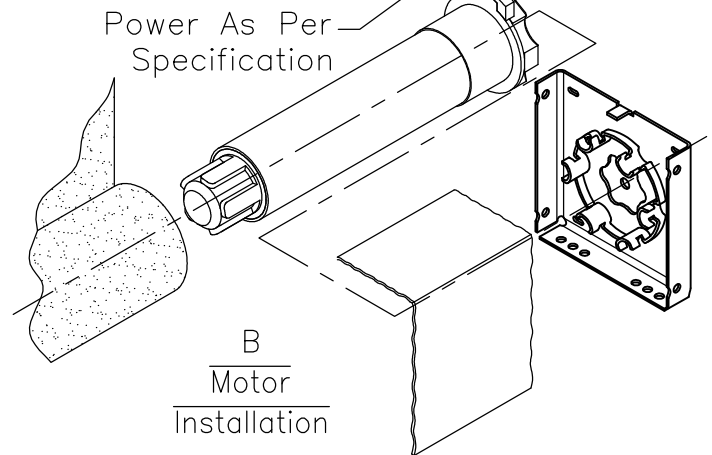
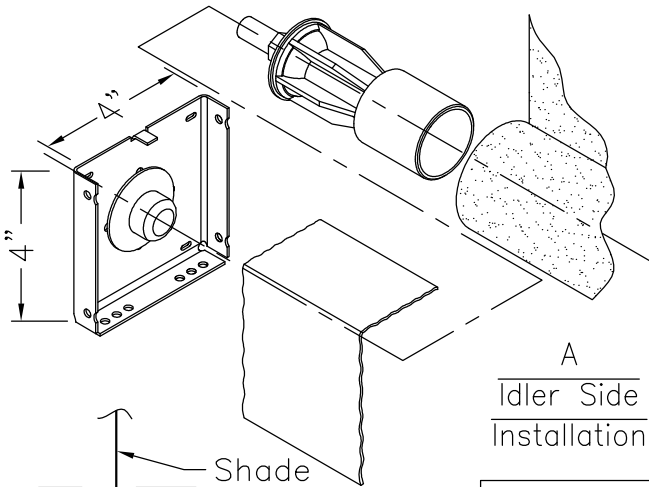
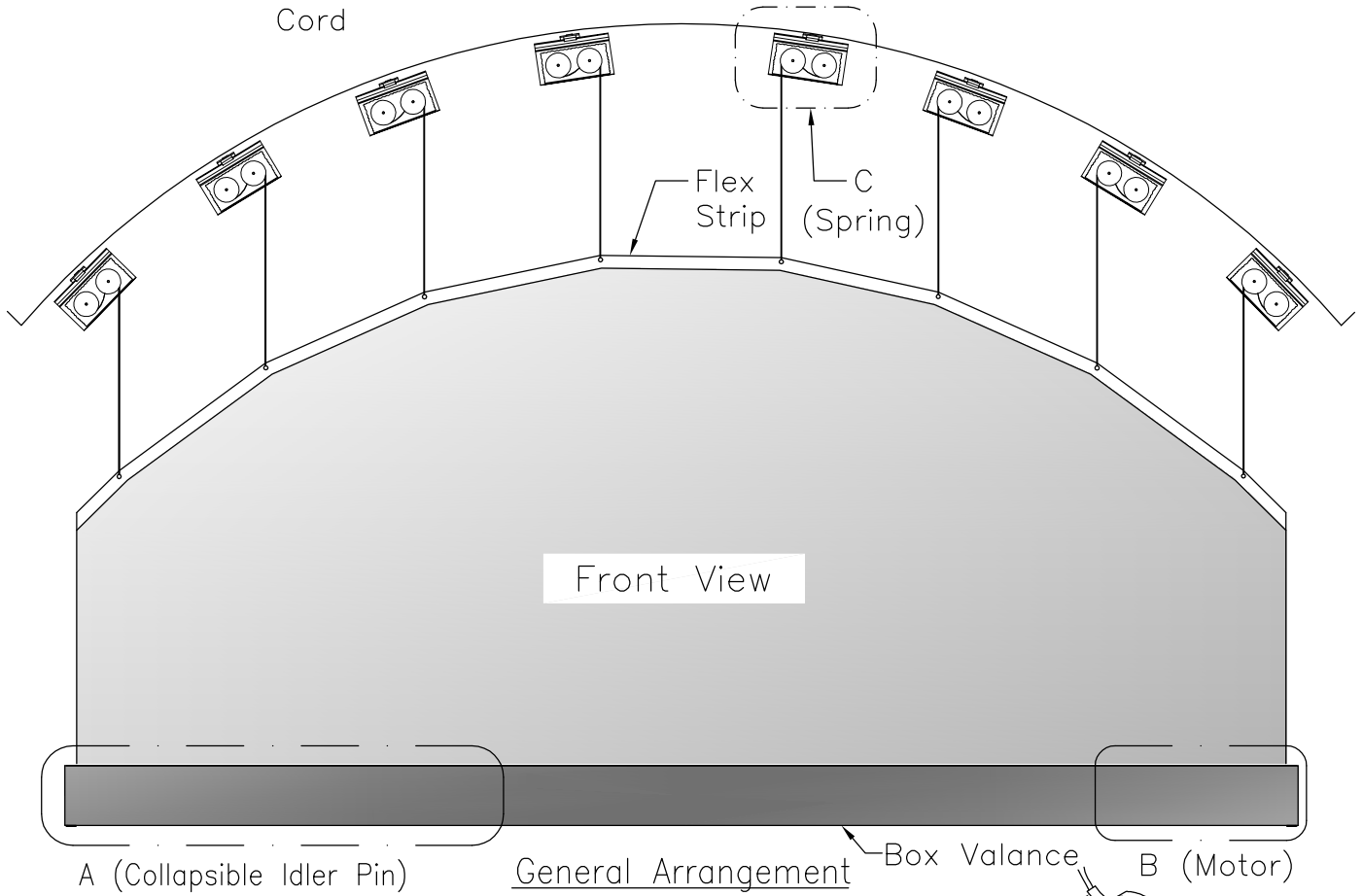
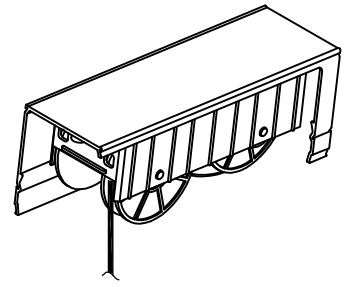


C
Side View



C
Spring
Installation



CONCORD SHADING SYSTEMS INC.



Title: ARCH TOP ROLLER WITH 4" BOX VALANCE

Scale: N.T.S.

DWG No. ARCH-RO

Date: 12-MAR-2019

Rev 00