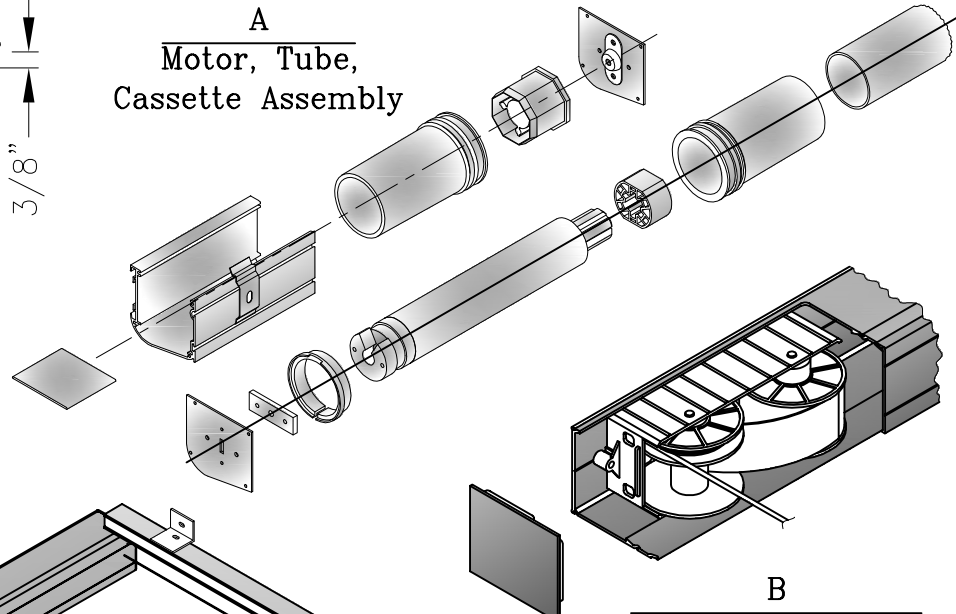
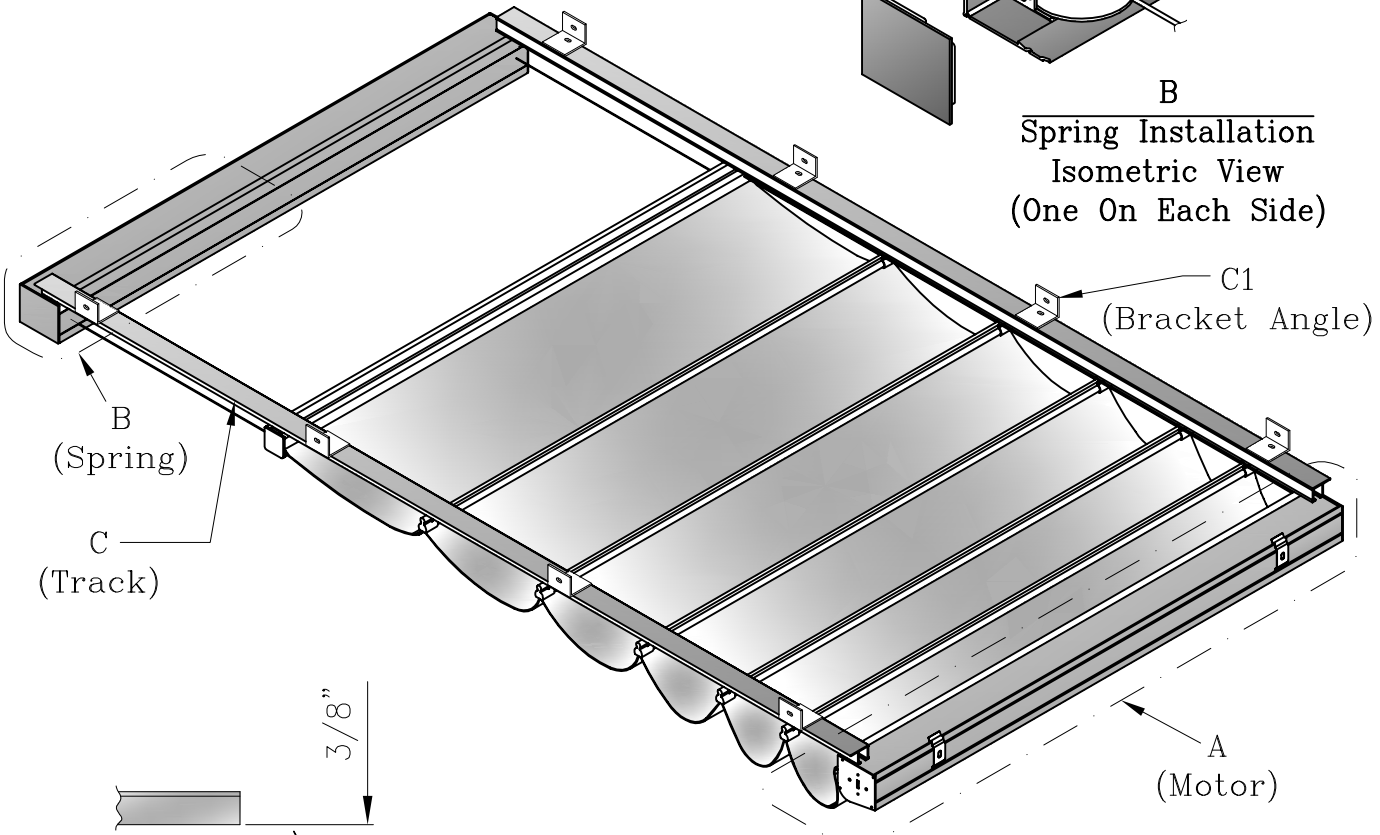


**Spring Installation Side View**

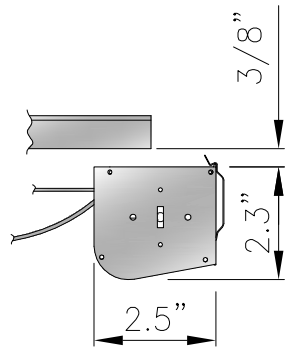
**A**  
Motor, Tube,  
Cassette Assembly



**B**  
Spring Installation Isometric View (One On Each Side)



**Isometric View**



**Side View**

<b>CONCORD SHADING SYSTEMS INC.</b>		
	<b>Title:</b> MOTORIZED "ROMAN SKYLIGHT" WITH CSS CASSETTE	<b>Scale:</b> N.T.S.
	<b>DWG No.</b> Rmn-Mo-Sky-0018	<b>Date:</b> Feb-24-15