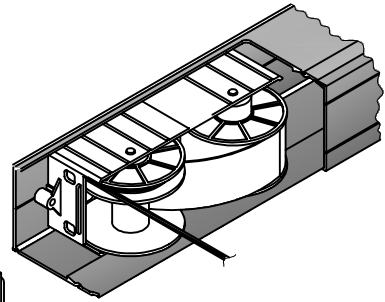
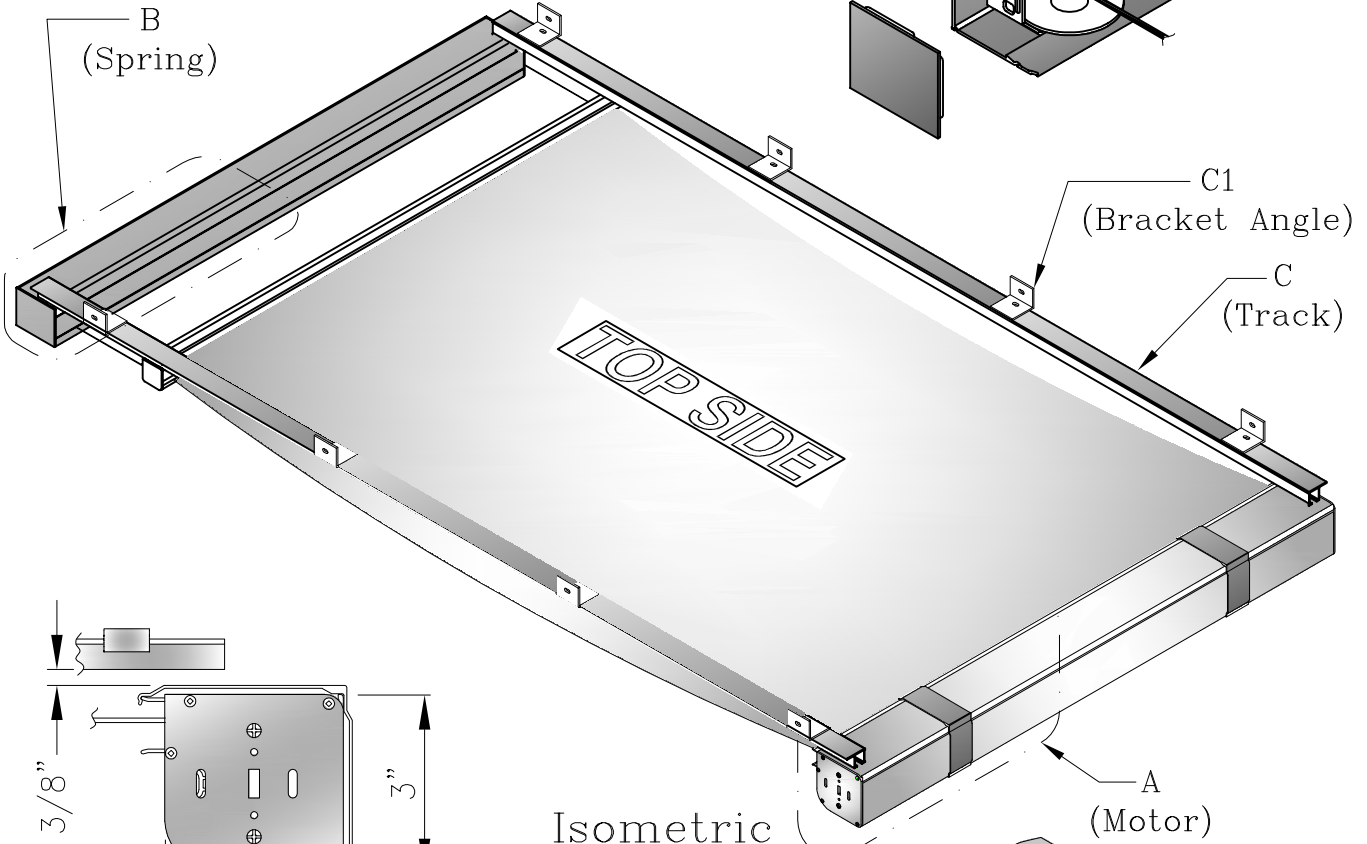


Side View

B
Spring Installation
(One On Each Side)

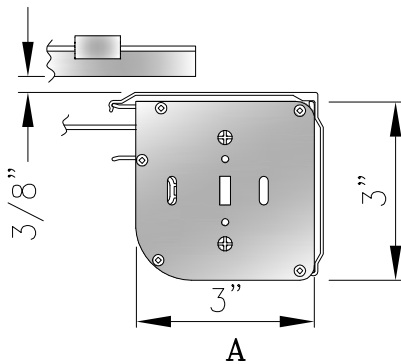
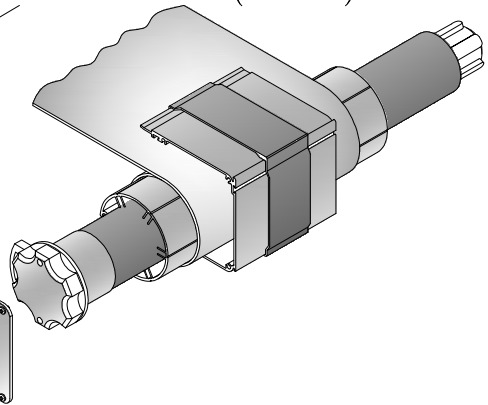


B
(Spring)

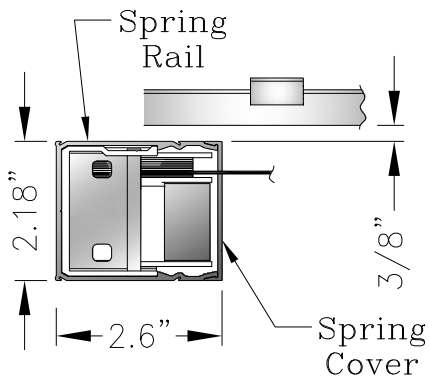


Isometric View

A
Motor, Tube, Cassette
& Fabric Installation



A
Side View



B
Spring Installation
Side View

NOTE:
SUPPORT TUBES RECOMMENDED FOR SHADES 8 FEET OR LONGER.

CONCORD SHADING SYSTEMS INC.



Title: MOTORIZED ROLLER SKYLIGHT

Scale: N.T.S.

DWG No. ROL-MO-SKY-0038

Date: Feb-28-15

Rev 00