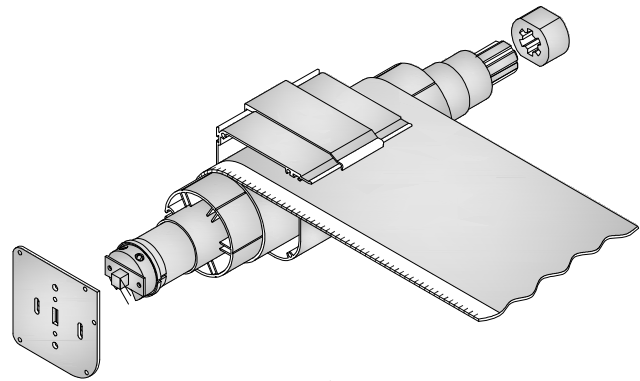
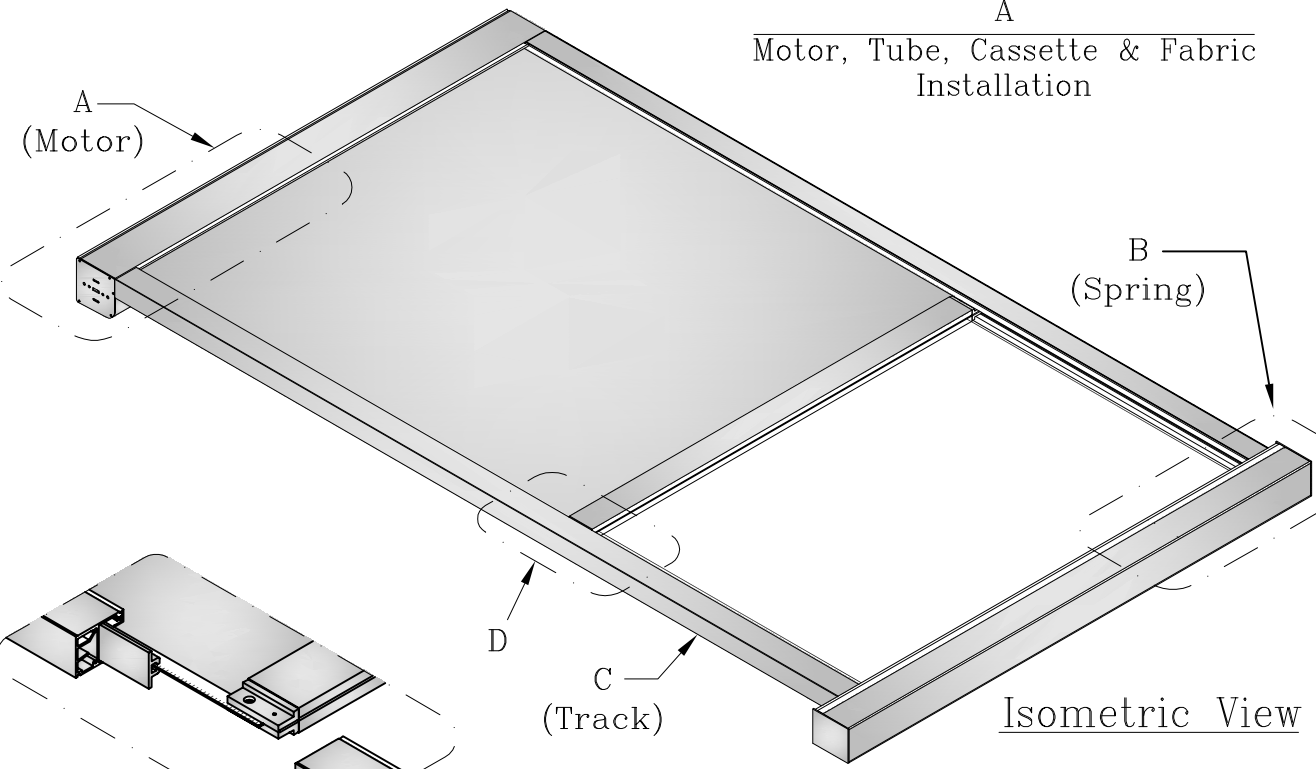


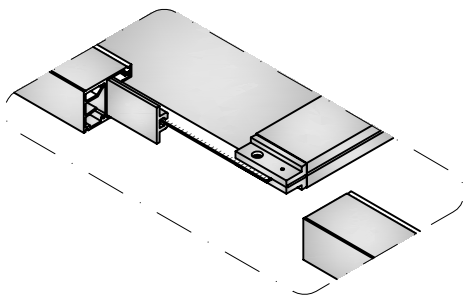
A  
Side View



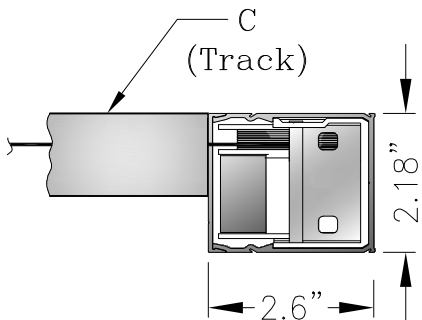
A  
Motor, Tube, Cassette & Fabric  
Installation



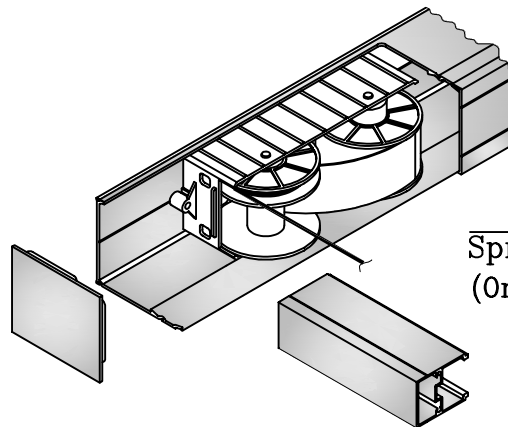
Isometric View



D  
Weight Bar  
& Track



B  
Spring Installation  
Side View



B  
Spring Installation  
(One On Each Side)

CONCORD SHADING SYSTEMS INC.



Title: MOTORIZED "ROLLER SKYLIGHT-  
SHY ZIP SYSTEM"-WITH 4" VALANCE

Scale:  
N.T.S.

DWG No.  
Rol-Sky-Mo-Zip-Val-0036

Date:  
Feb-28-15

Rev  
00