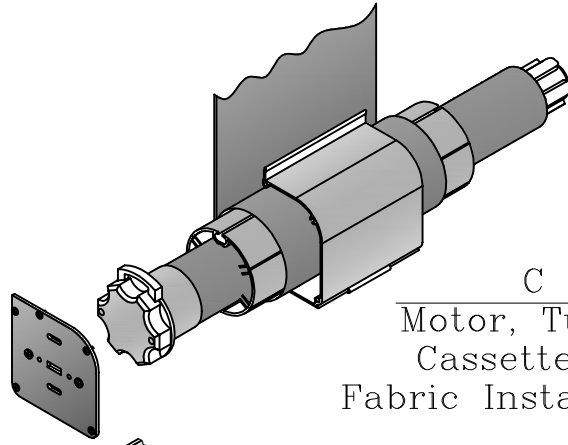
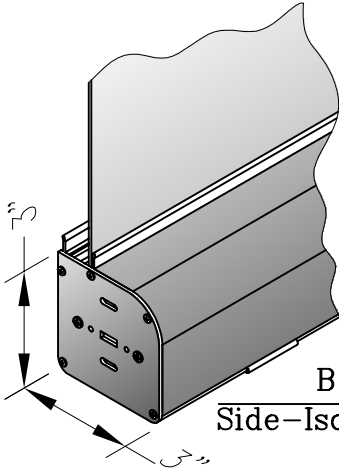


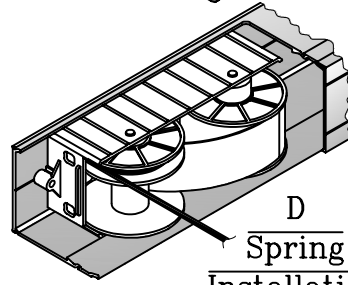
A
Pulley, Spring, Railing
Installation



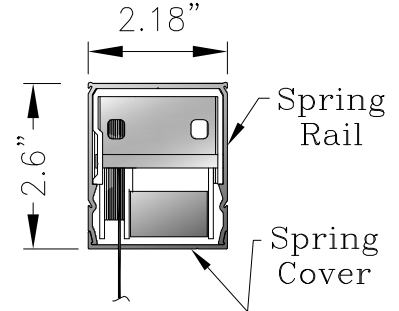
C
Motor, Tube,
Cassette &
Fabric Installation



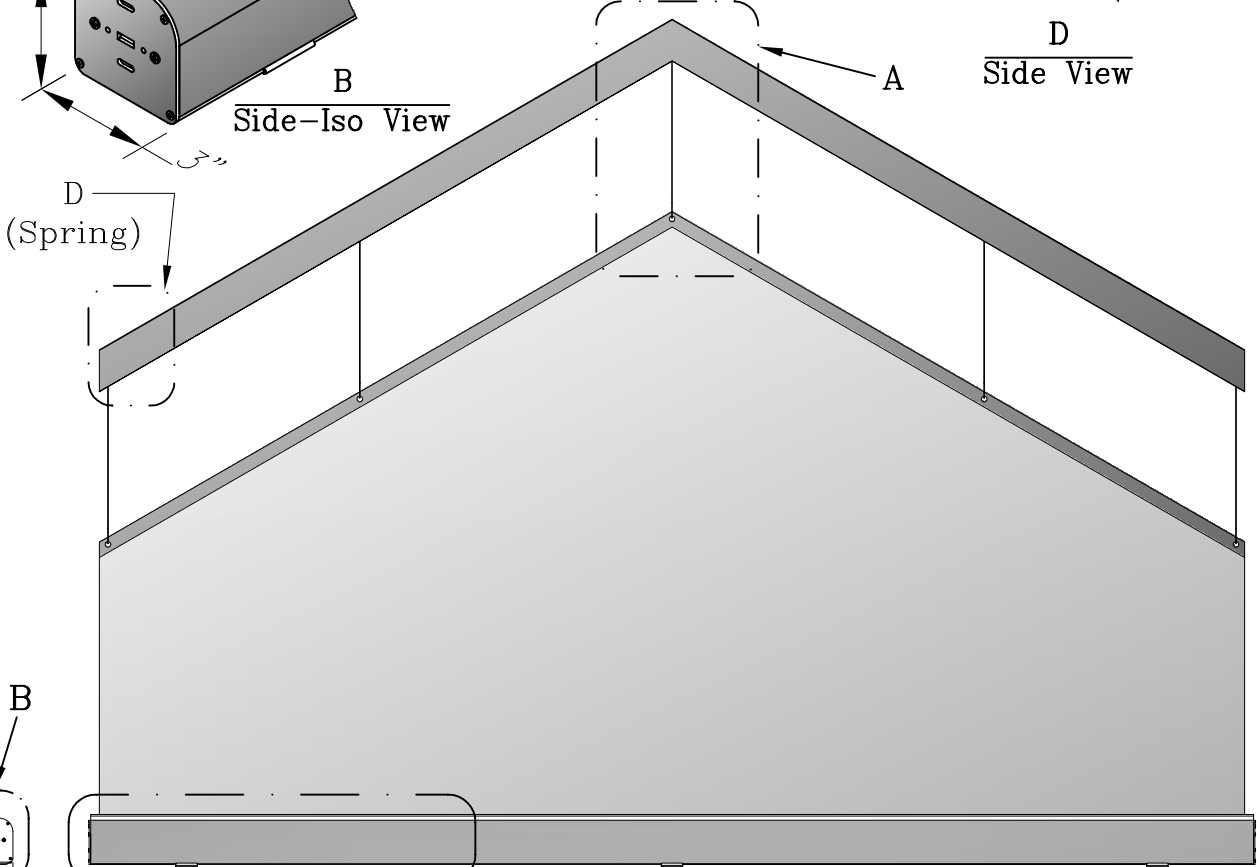
B
Side-Iso View



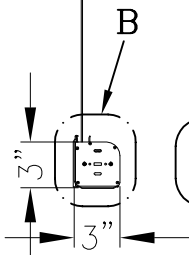
D
Spring
Installation



D
Side View



Front View



Side View

C
(Motor)

CONCORD SHADING SYSTEMS INC.



Title:
MOTORIZED BUTTOM-UP, PEAK A FRAME
WITH 3" CSS CASSETTE

Scale:
N.T.S.

DWG No.
BU-MO-PAF-CSS-0031

Date:
Feb-28-15

Rev
00