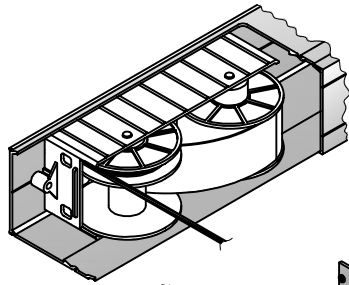
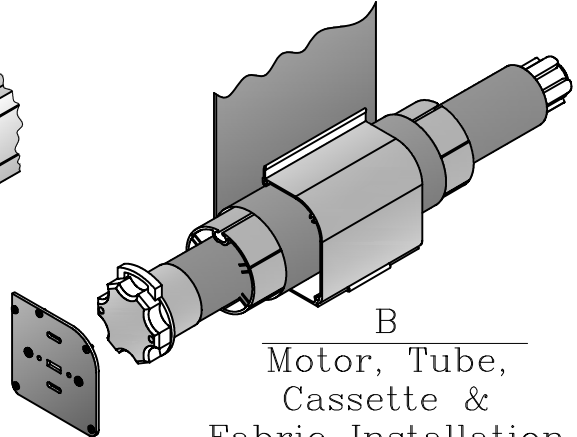


A
Pulley, Spring &
Railing Installation

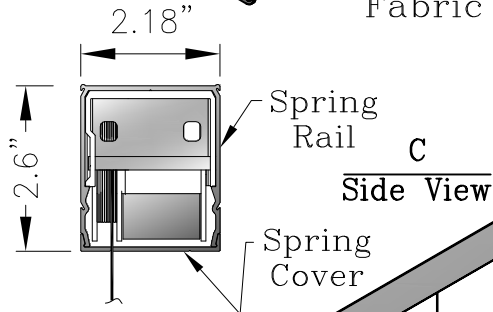
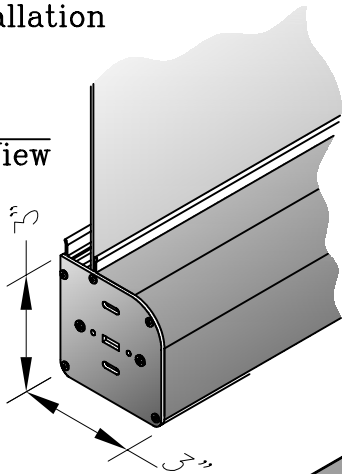


C
Spring
Installation



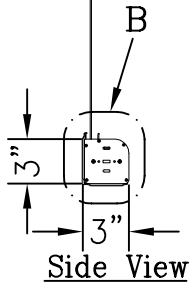
B
Motor, Tube,
Cassette &
Fabric Installation

B
Side-Iso View



C
Side View

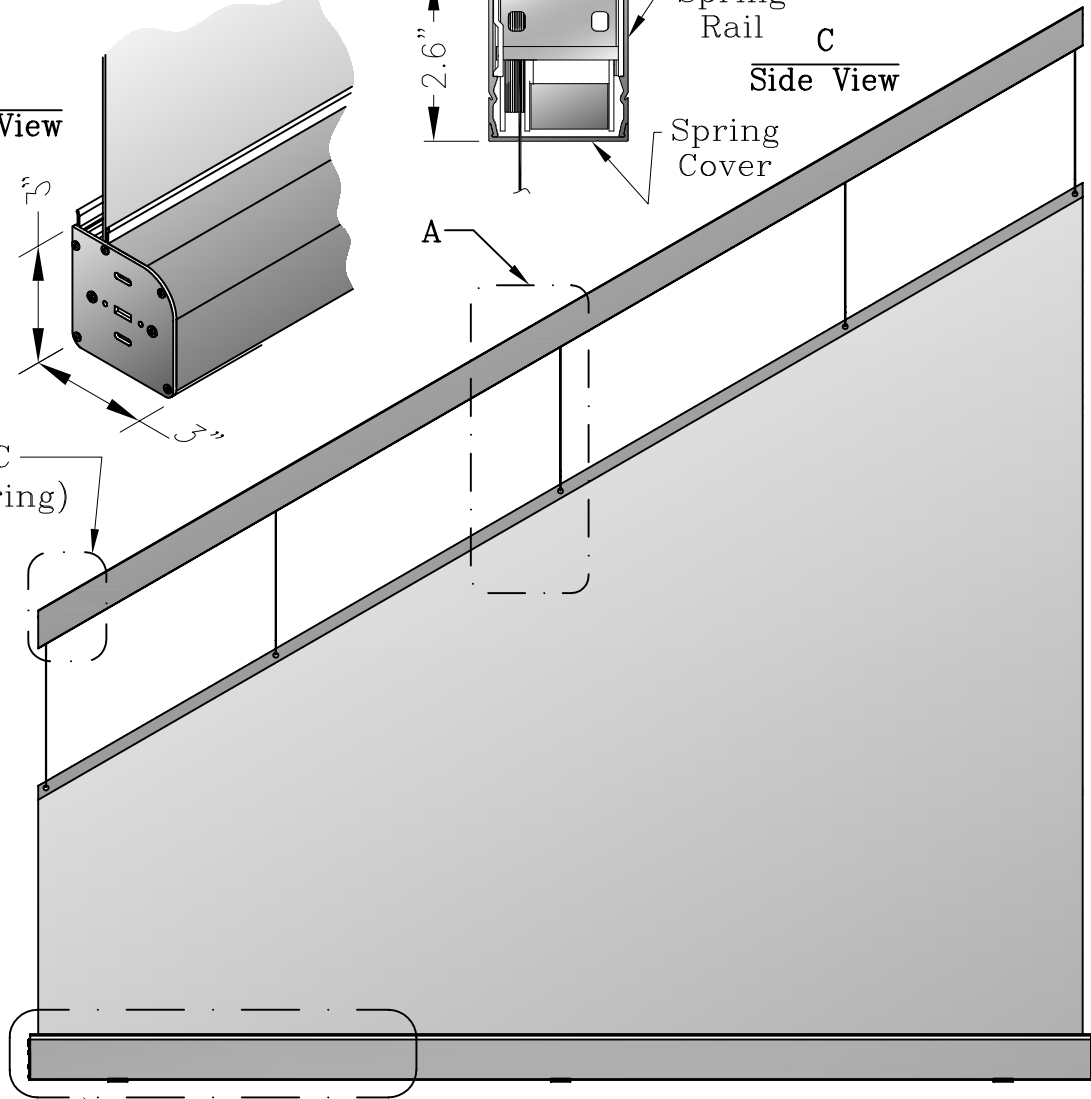
C
(Spring)



B
Side View

B
(Motor)

Front View



CONCORD SHADING SYSTEMS INC.



Title: MOTORIZED A FRAME
WITH 3" CSS CASSETTE

Scale:
N.T.S.

DWG No.
BU-MO-AFrm-CSS-0032

Date:
Feb-28-15

Rev
00