

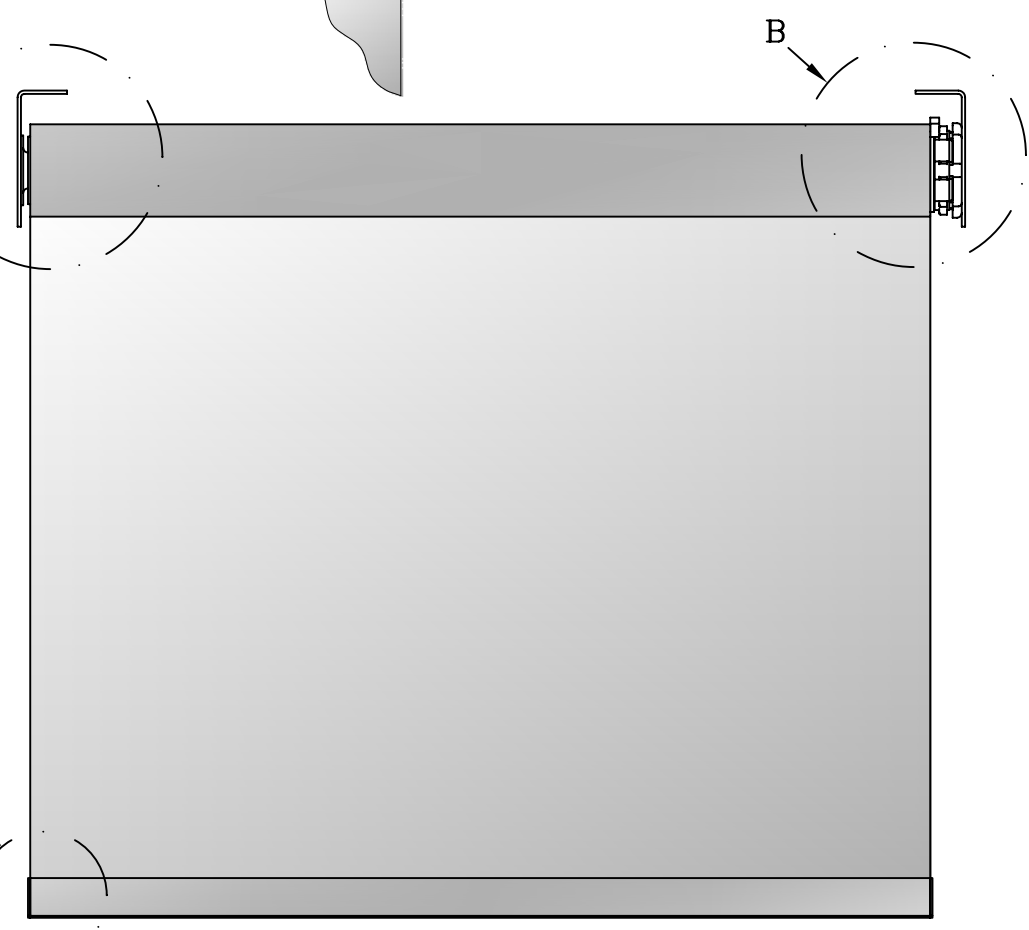
A
Idler Side Installation

B
Motor Installation


C
Weight Bar &
End Cap



Side View



Front View

CONCORD SHADING SYSTEMS INC.			
	Title: MOTORIZED ROLLER BLIND		Scale: N.T.S.
	DWG No. ROL-MO-0003	Date: Aug-24-07	Rev 00