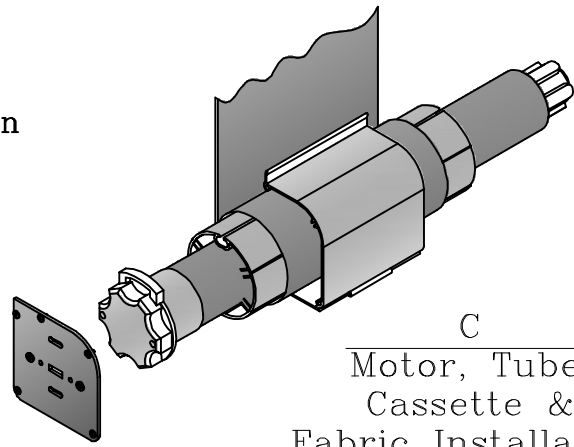
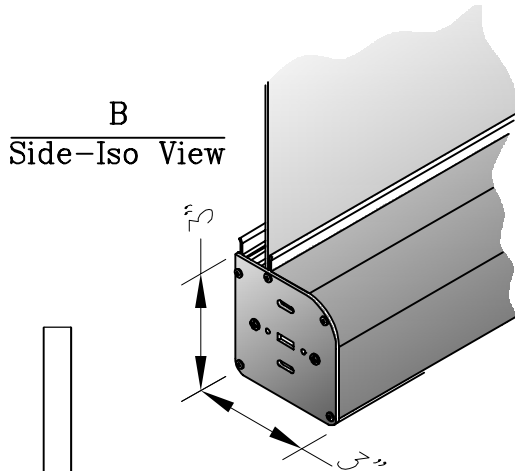


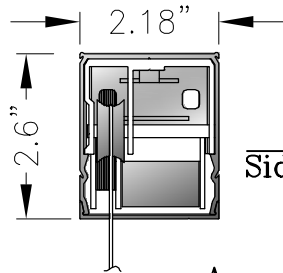
A
Pulley, Spring &
Railing Installation



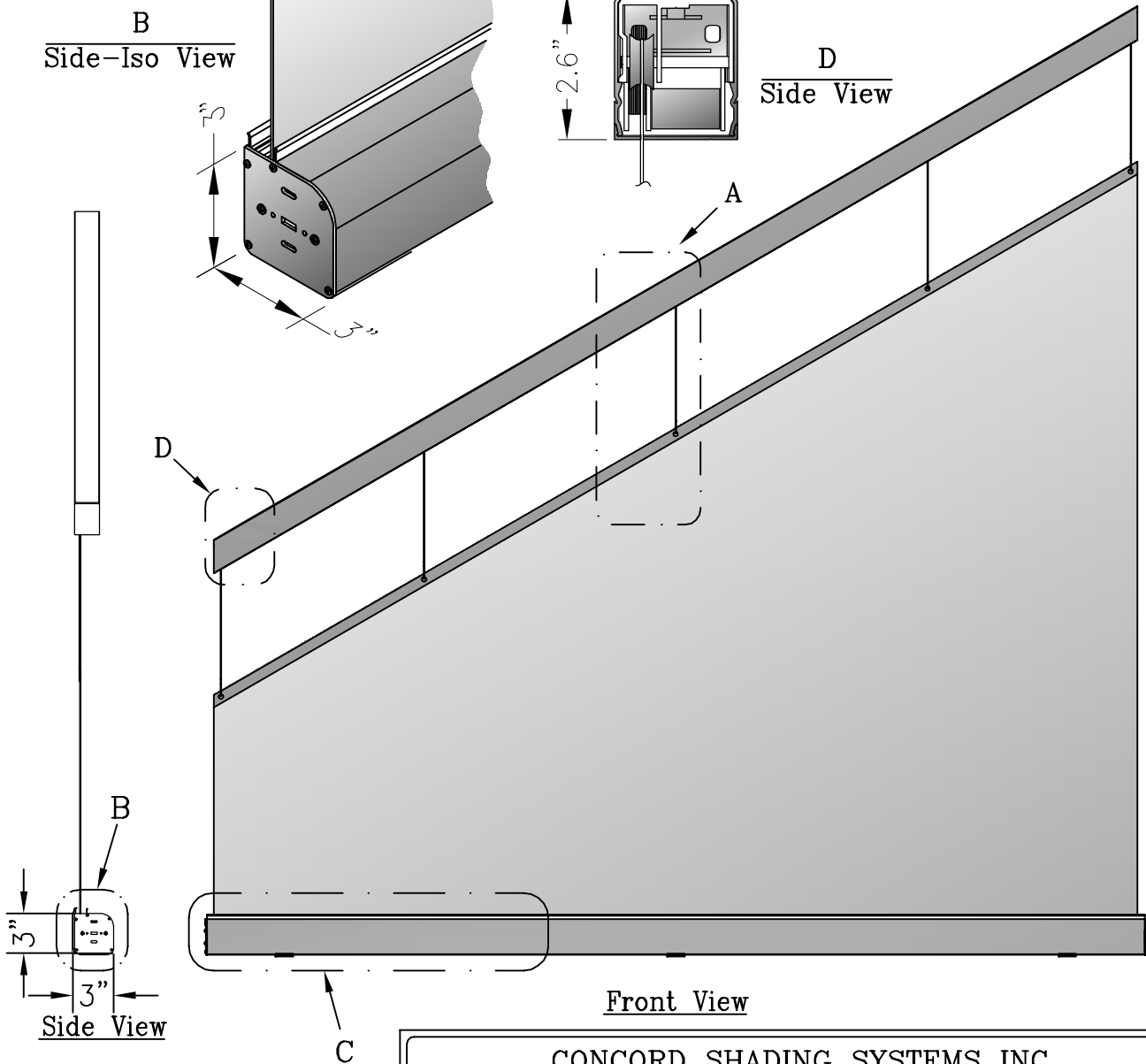
C
Motor, Tube,
Cassette &
Fabric Installation



B
Side-Iso View



D
Side View



Front View

CONCORD SHADING SYSTEMS INC.			
	Title: MOTORIZED A FRAME WITH 3" CSS CASSETTE		Scale: N.T.S.
	DWG No. BU-MO-AFrm-CSS-0032	Date: JUL-27-14	Rev 00