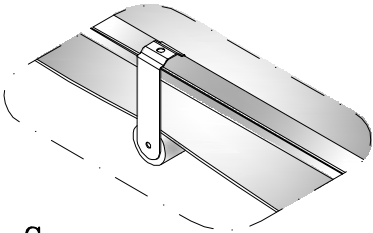
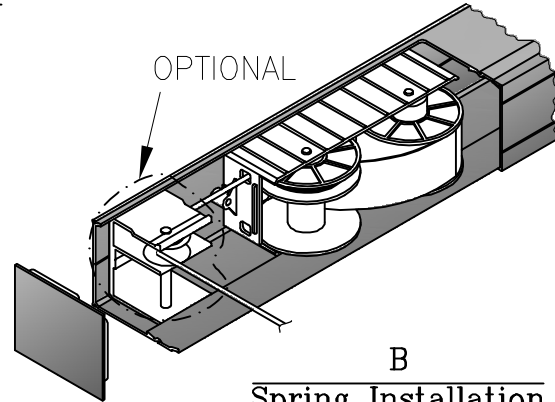


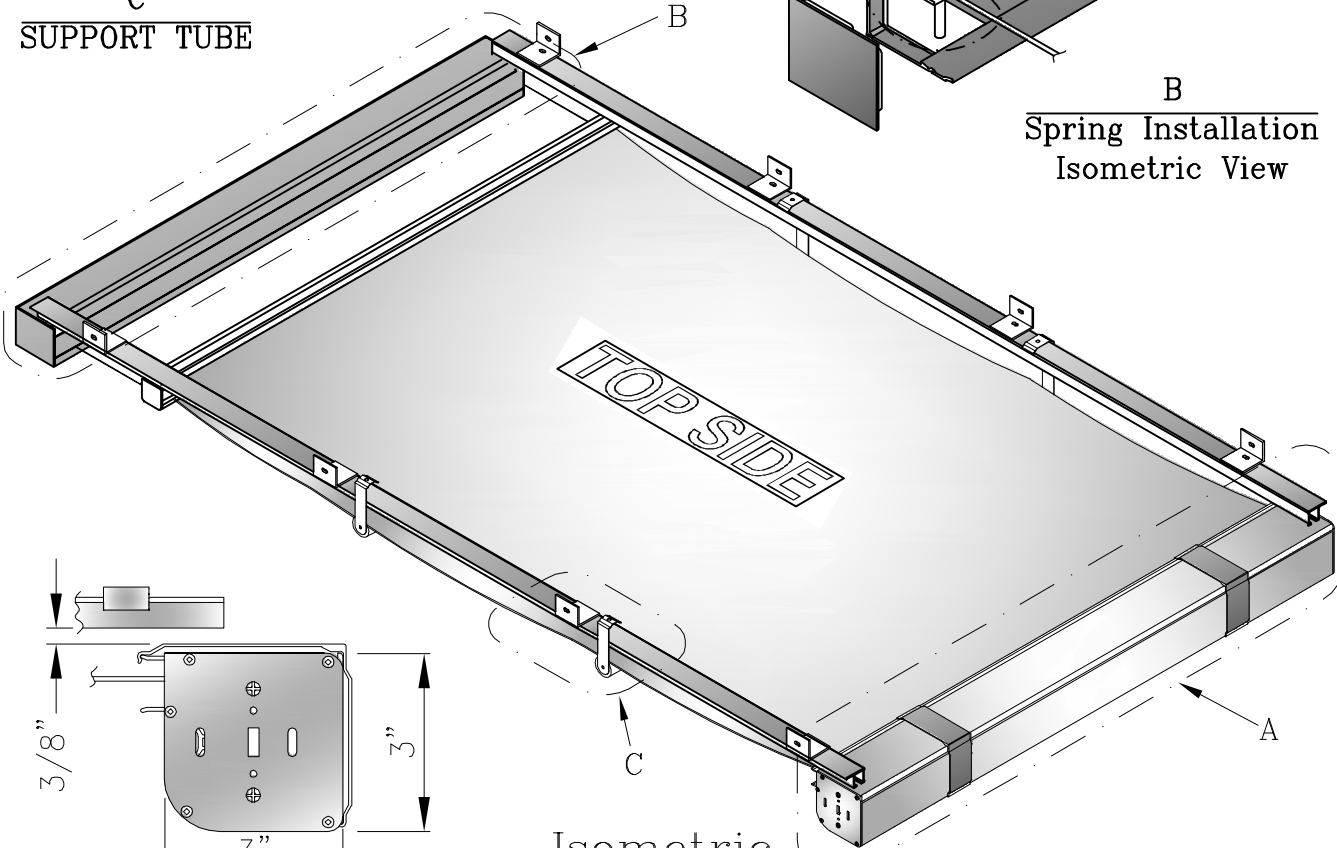
Side View



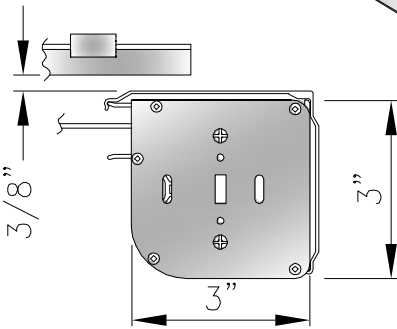
C  
SUPPORT TUBE



OPTIONAL  
B  
Spring Installation  
Isometric View

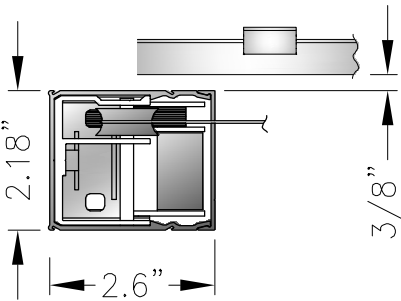
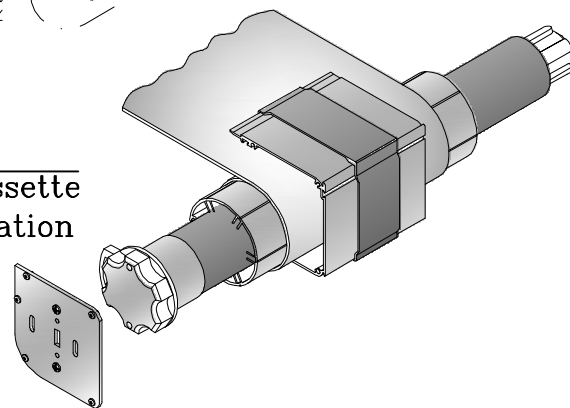


TOP SIDE  
Isometric View



A  
Side View

A  
Motor, Tube, Cassette  
& Fabric Installation



B  
Spring Installation  
Side View

NOTE:  
NUMBER OF SUPPORT TUBES MAY CHANGE WITH LENGTH OF SHADE.

CONCORD SHADING SYSTEMS INC.



Title: MOTORIZED ROLLER SKYLIGHT  
WITH INTERMEDIATE SUPPORT TUBE

Scale:  
N.T.S.

DWG No.  
RMN-MO-SKY-3in-0029

Date:  
Jun-23-14

Rev  
00