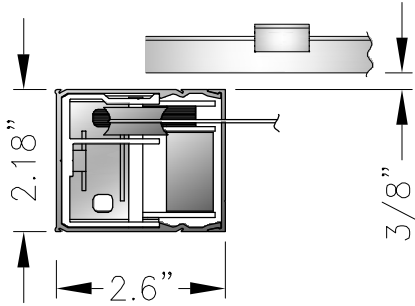


Side View

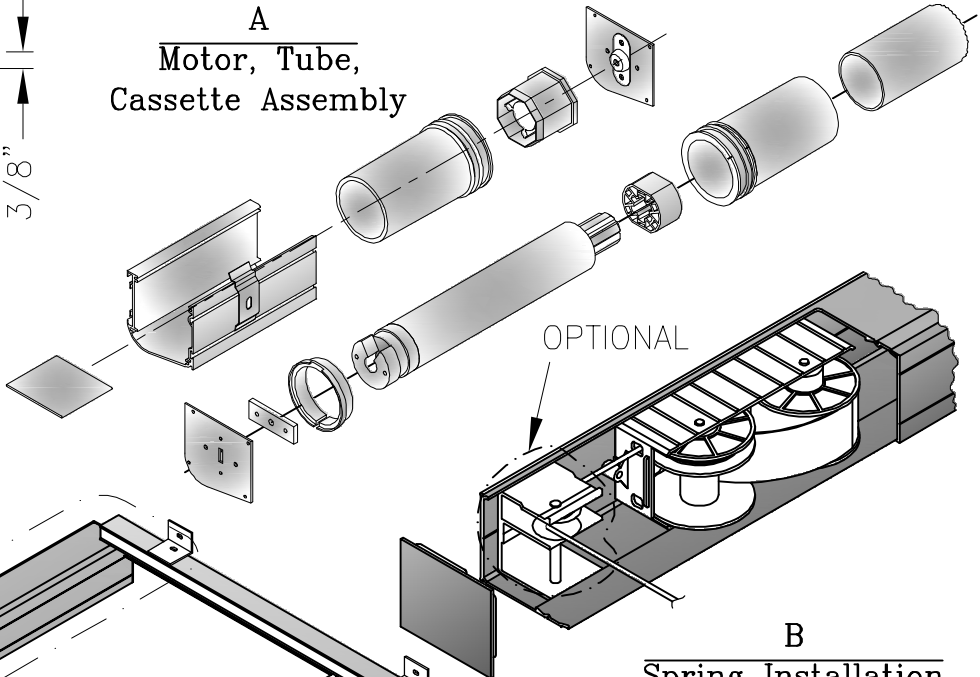
B



Spring Installation Side View

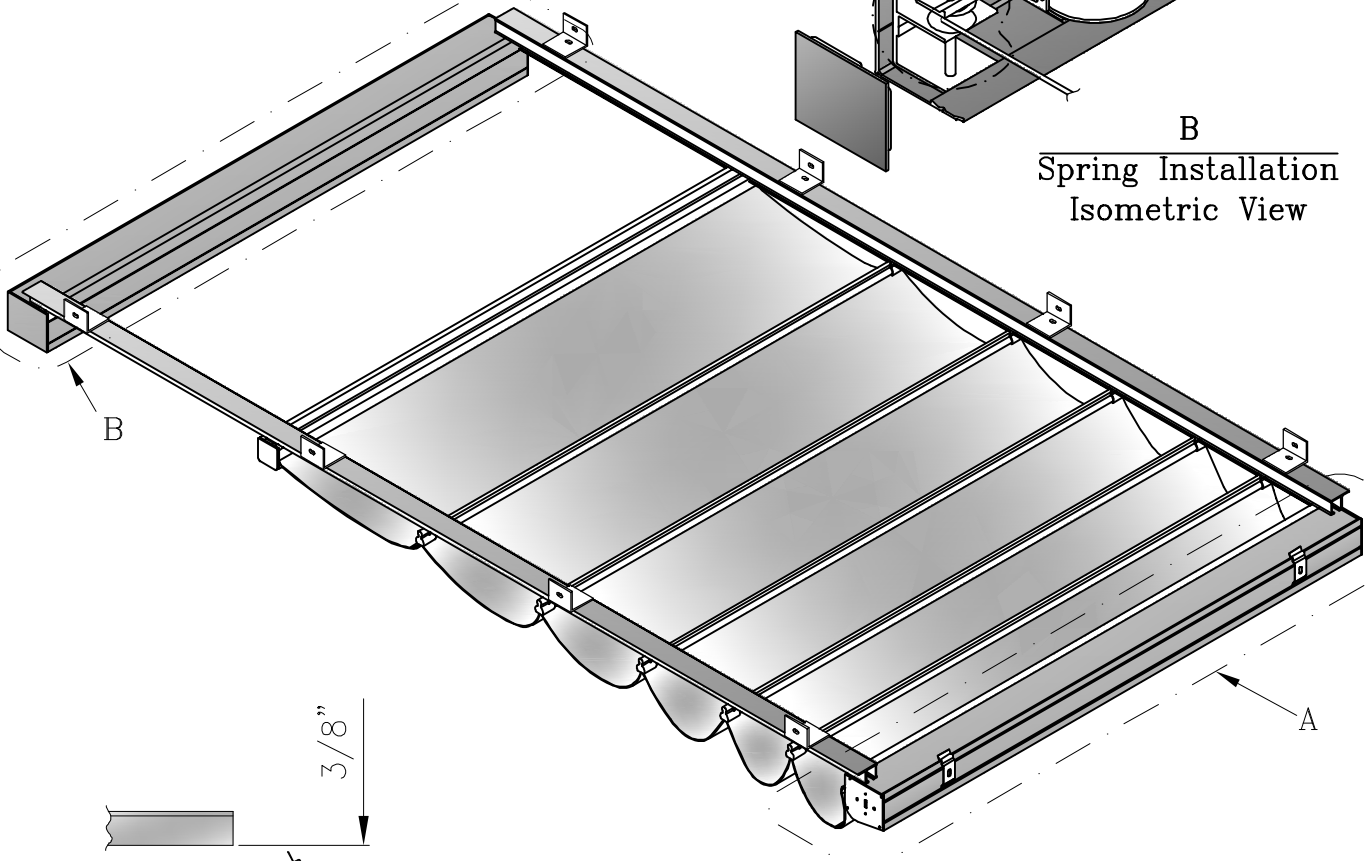
B

A
Motor, Tube,
Cassette Assembly

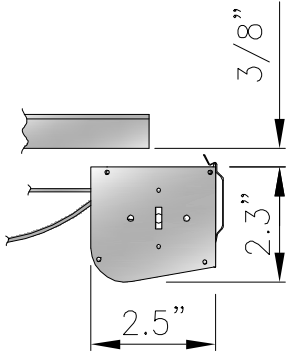


OPTIONAL

B
Spring Installation Isometric View



Isometric View



A
Side View

CONCORD SHADING SYSTEMS INC.			
	Title: MOTORIZED "ROMAN SKYLIGHT" WITH CSS CASSETTE		Scale: N.T.S.
	DWG No. Rmn-Mo-Sky-0018	Date: May-30-14	Rev 01