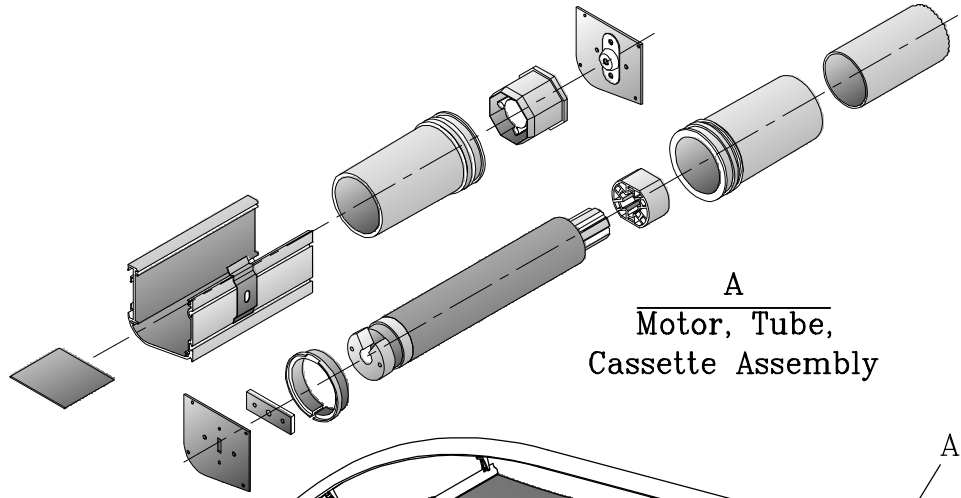
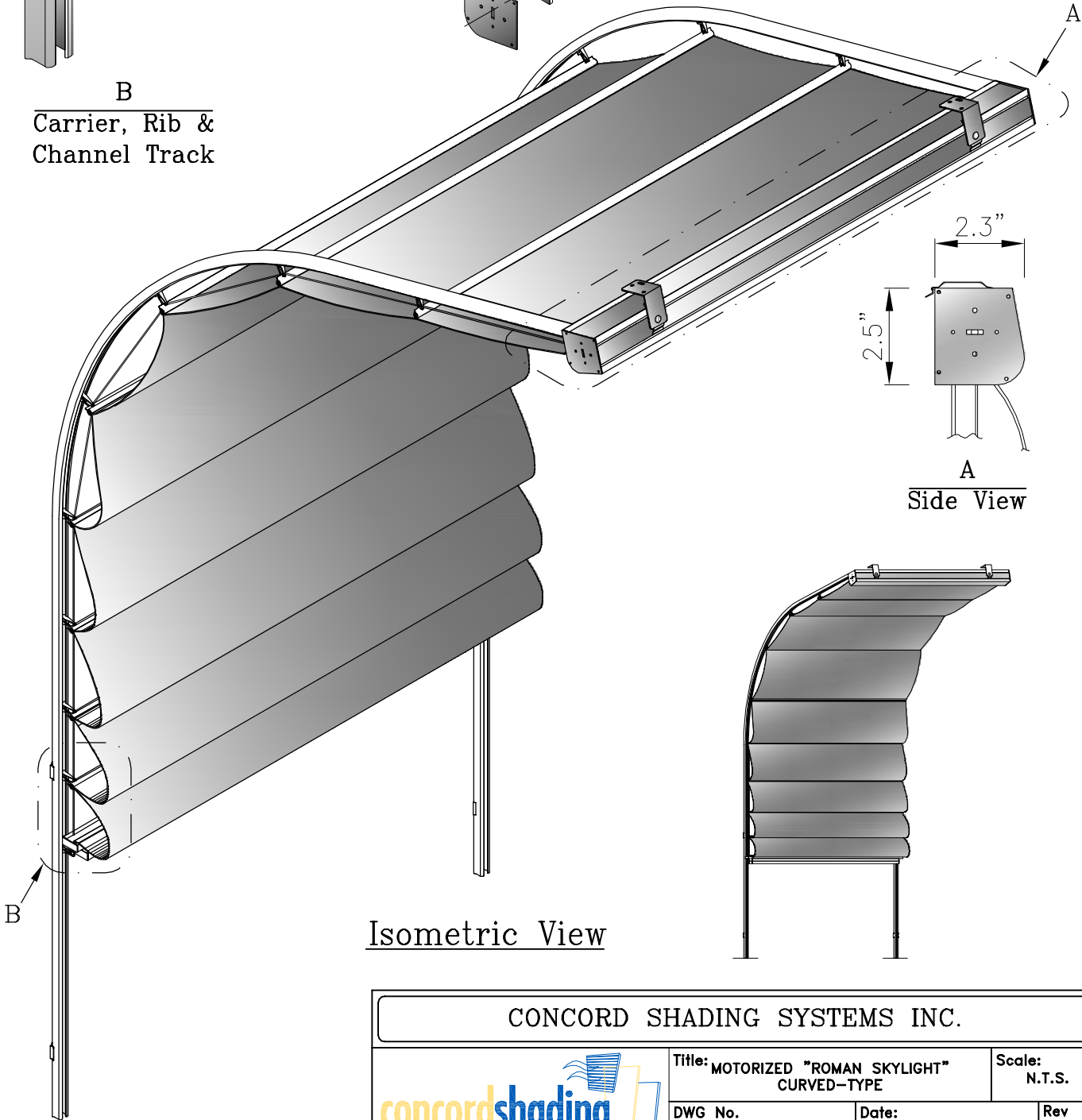


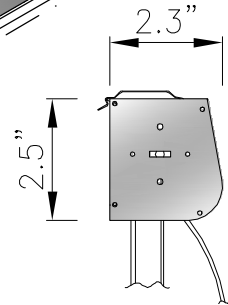
B
Carrier, Rib &
Channel Track



A
Motor, Tube,
Cassette Assembly



Isometric View



A
Side View

CONCORD SHADING SYSTEMS INC.



Title: **MOTORIZED "ROMAN SKYLIGHT"
CURVED-TYPE**

Scale:
N.T.S.

DWG No.
Rmn-Mo-Crv-0015

Date:
Feb-04-08

Rev
00