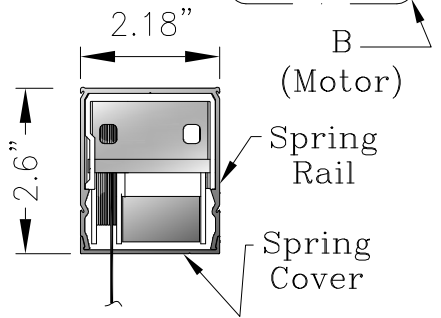
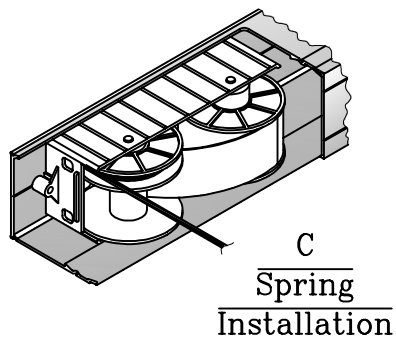


Front View



**C**  
Side View



<b>CONCORD SHADING SYSTEMS INC.</b>		
	<b>Title:</b> MOTORIZED BOTTOM UP ROLLER ARCH WITH 4" VALANCE	
	<b>Scale:</b> N.T.S.	
<b>DWG No.</b> 34-BU-MO-4IN-ARCH-VLNC	<b>Date:</b> Feb-28-15	<b>Rev</b> 00