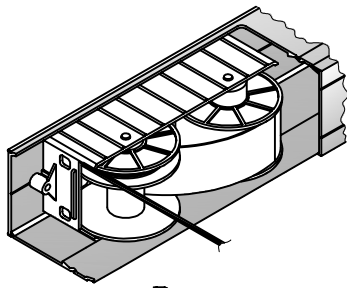
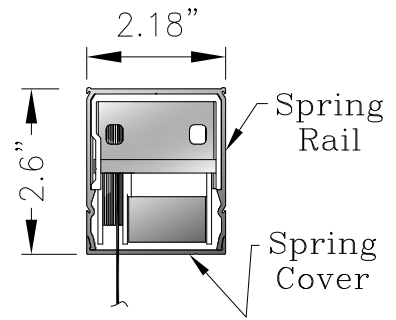


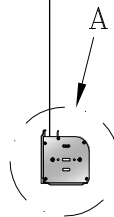
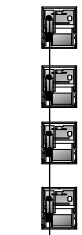
A
Side View



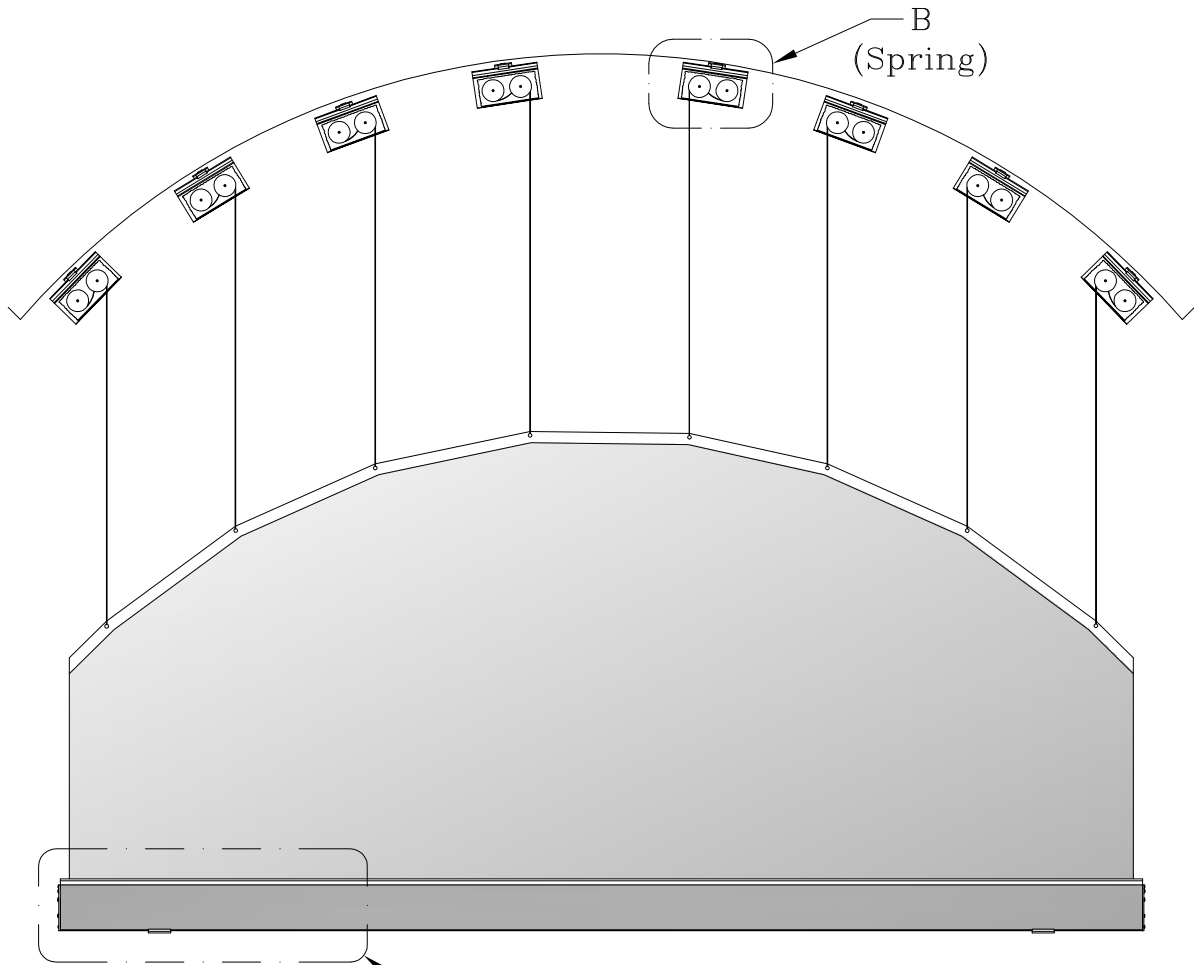
B
Spring
Installation



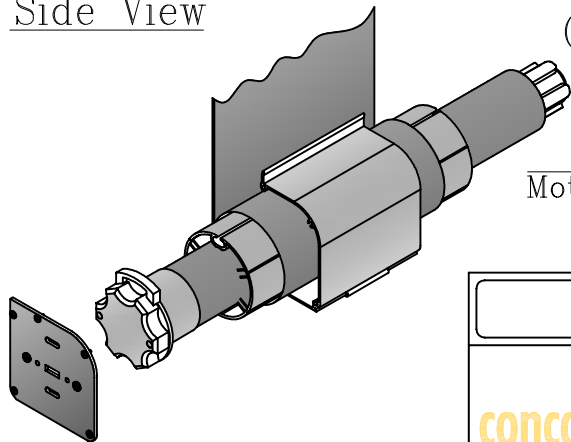
B
Side View



Side View



Front View



A
Motor, Tube, Cassette & Fabric
Installation

CONCORD SHADING SYSTEMS INC.



Title: MOTORIZED BOTTOM UP ROLLER
ARCH WITH 3" CSS CASSETTE

Scale:
N.T.S.

DWG No.
33-BU-MO-3IN-ARCH-CSS

Date:
Feb-28-15

Rev
00