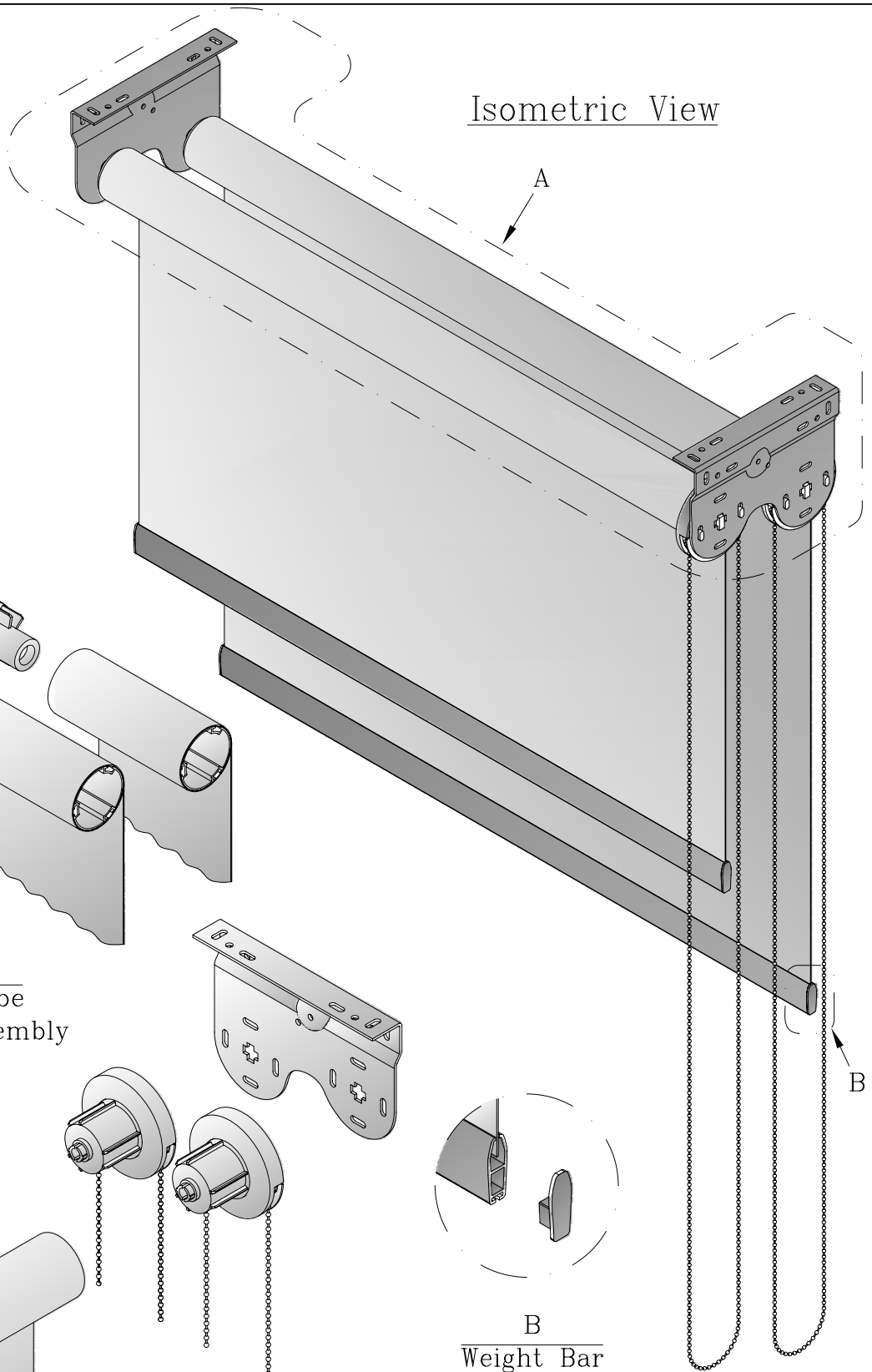
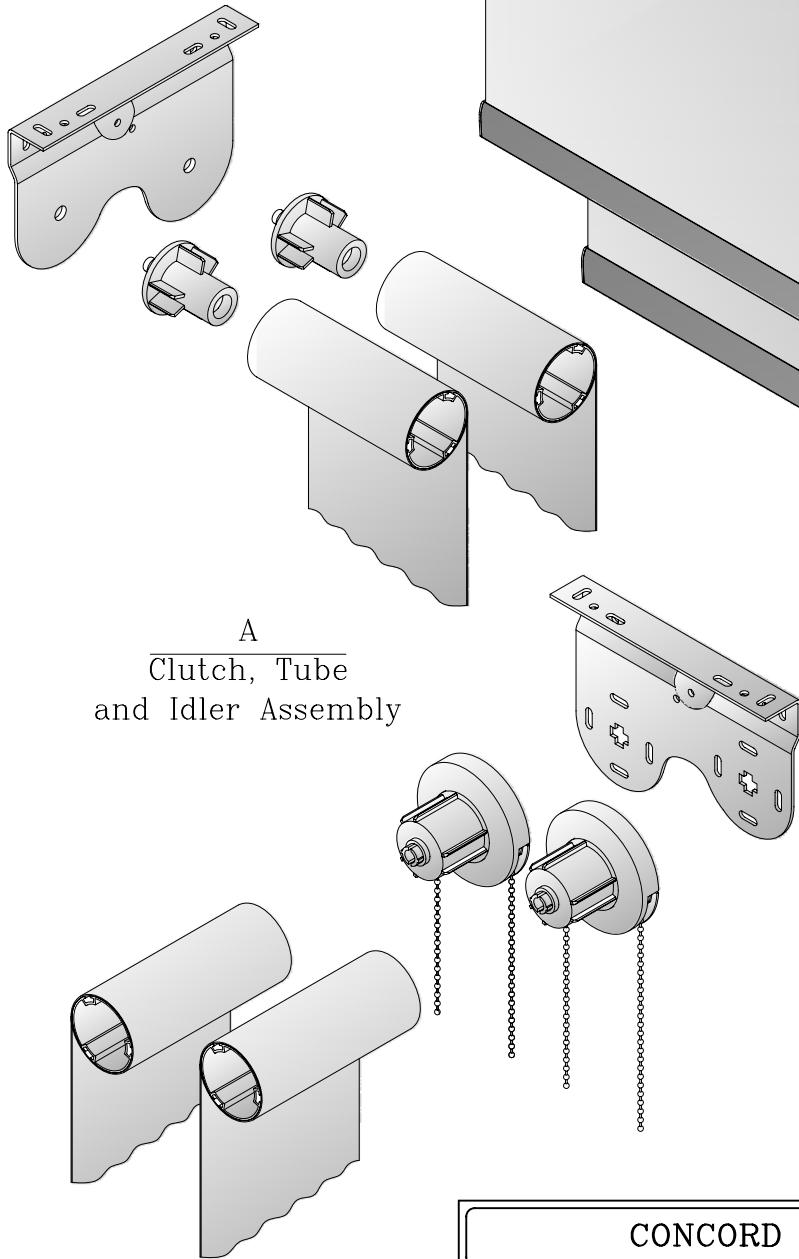


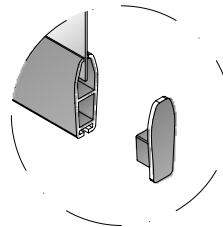
A  
Side View



Isometric View




A  
Clutch, Tube  
and Idler Assembly



B  
Weight Bar  
& End Cap

CONCORD SHADING SYSTEMS INC.

	Title: MANUAL, ROMAN DUAL-SHADE	Scale: N.T.S.
	DWG No. Roll-Man-Dual-1.75 C1ch-0016	Date: Mar-04-08