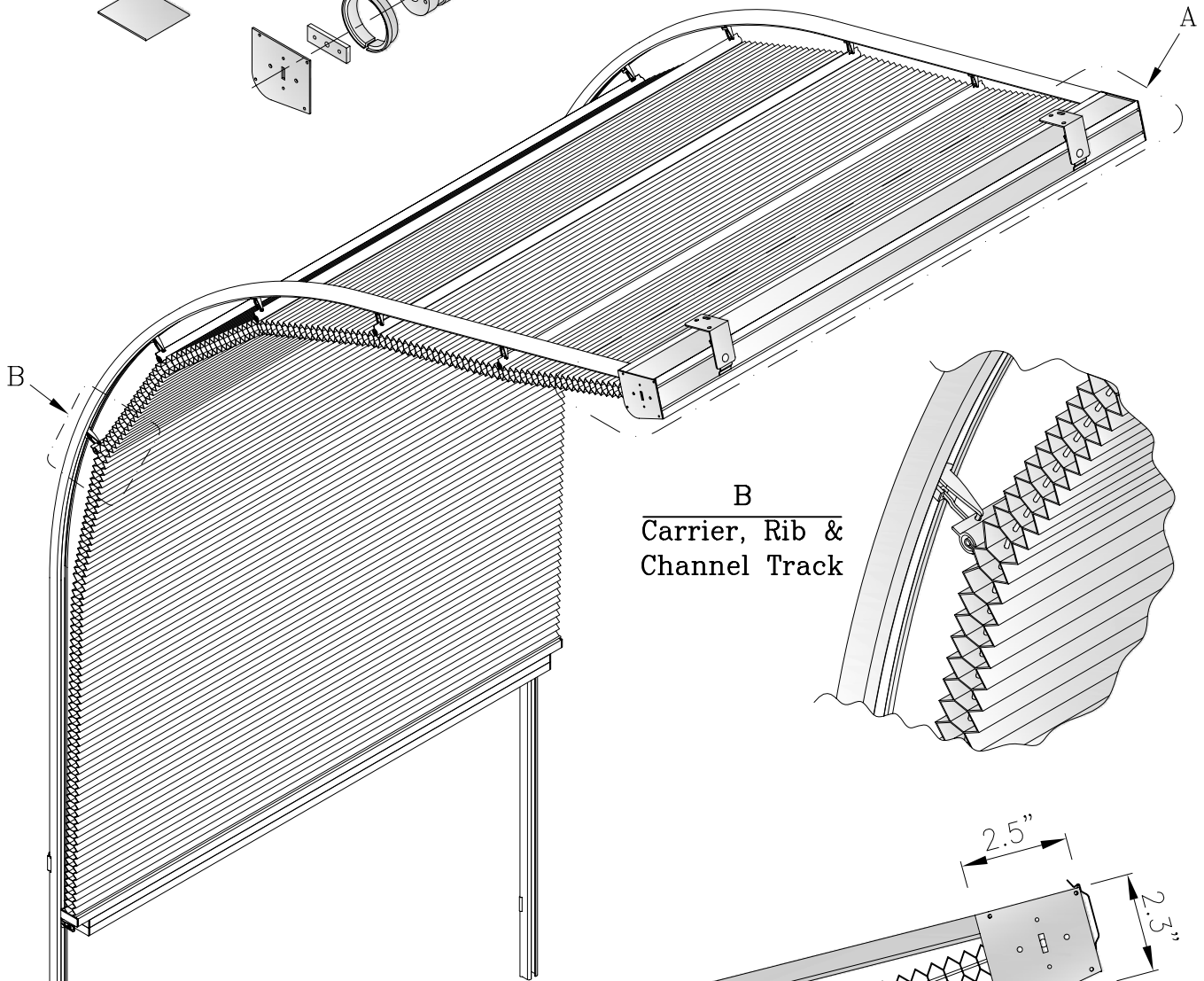
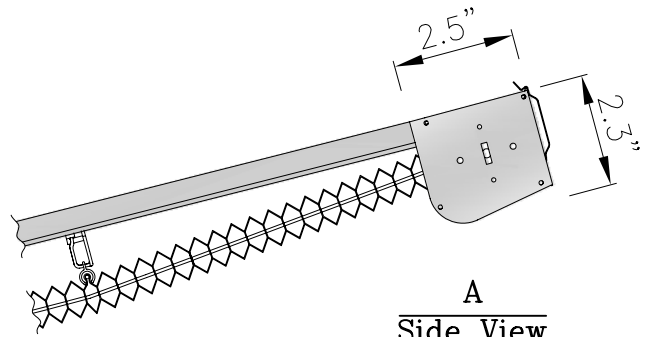


A  
Motor, Tube,  
 Cassette Assembly



B  
Carrier, Rib &  
 Channel Track

Isometric View



A  
Side View

CONCORD SHADING SYSTEMS INC.



Title: **MOTORIZED "CELLULAR SHADE"  
 CURVED-TYPE**

Scale: **N.T.S.**

DWG No. **Cel-Mo-Crv-0019**

Date: **Mar-20-08**

Rev **00**