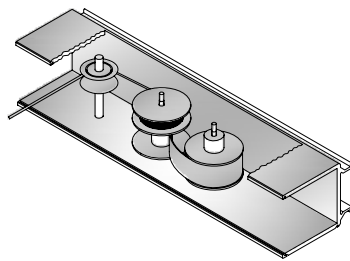
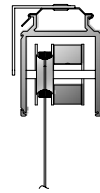


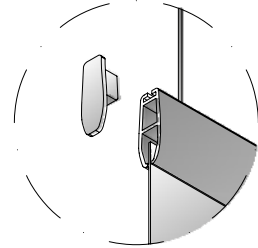
B
Side View



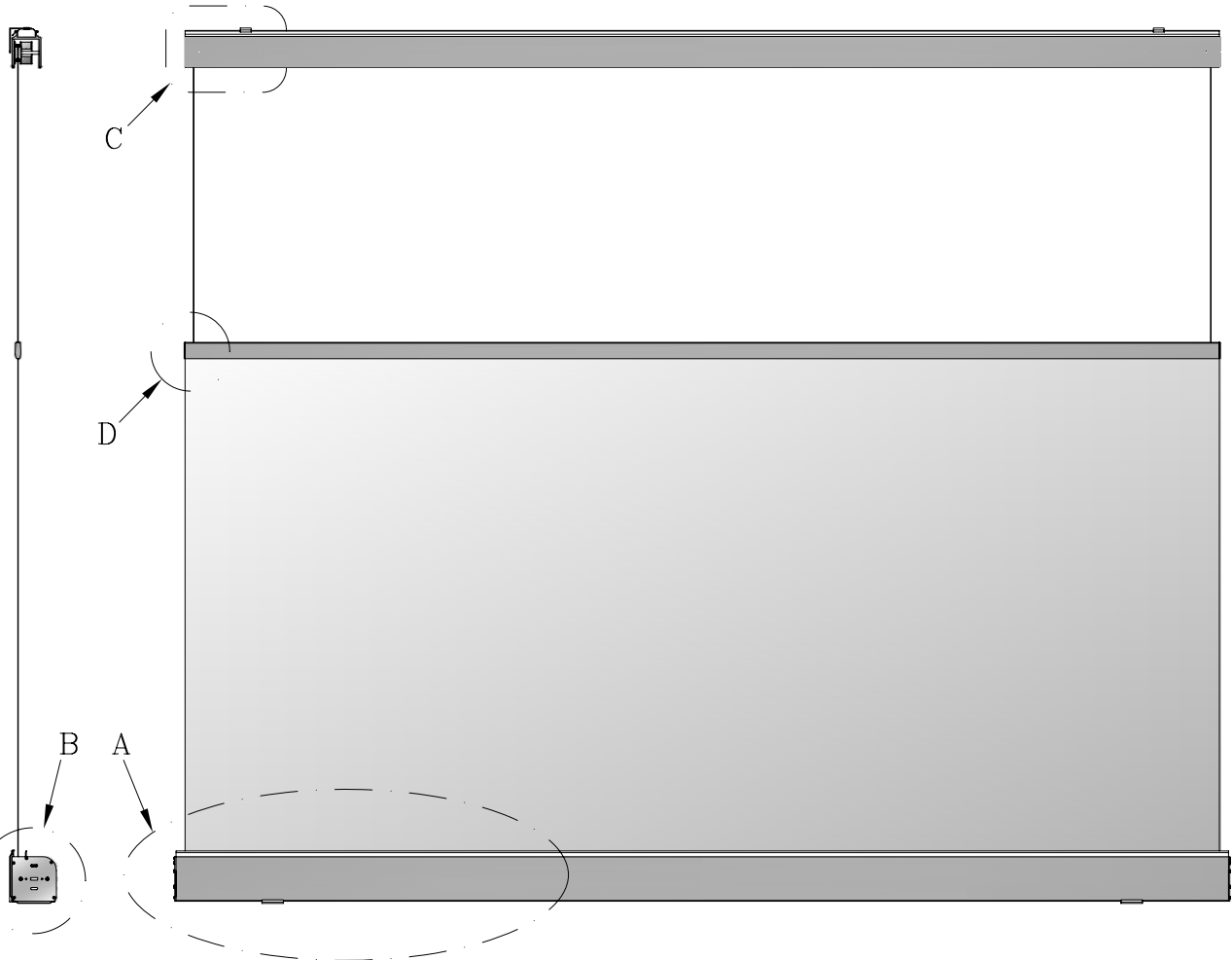
C
Pulley & Spring
Installation



C
Side View

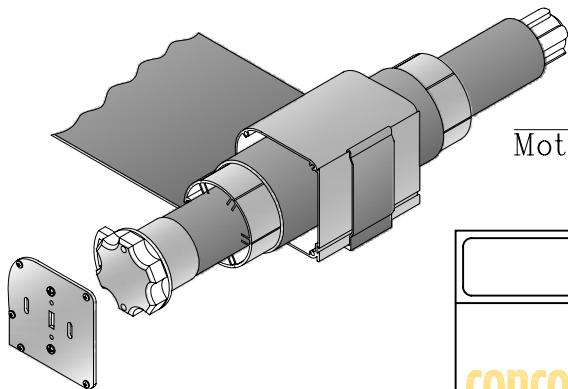


D
Hembar &
End Cap



Side View

Front View



A
Motor, Tube, Cassette & Fabric
Installation

CONCORD SHADING SYSTEMS INC.



Title: MOTORIZED BOTTOM UP ROLLER
TENSION SYSTEM

Scale:
N.T.S.

DWG No.
BU-MO-HkRail-0023

Date:
Feb-15-10

Rev
00